

R1	RESISTOR	220K	± 5%
R2	RESISTOR	10R	± 5%
R3	RESISTOR	22K	± 2%
R4	RESISTOR	22K	± 2%
R5	RESISTOR	4K7	± 5%
R6	RESISTOR	330K	± 2%
R7	RESISTOR	3K3	± 5%
R8	RESISTOR	3K3	± 5%
R10	RESISTOR	560R	± 5%
R12	RESISTOR	3K3	± 5%
R13	RESISTOR	22K	± 2%
R14	RESISTOR	470R	± 5%
R15	RESISTOR	100R	± 5%
R16	RESISTOR	180R	± 2%
R17	RESISTOR	3K3	± 5%
R18	RESISTOR	3K3	± 5%
R20	RESISTOR	1K	± 2%
R21	RESISTOR	1K	± 2%
R22	RESISTOR	270R	± 5%
R23	RESISTOR	1K2	± 5%
R30	RESISTOR	560R	± 5%
R31	RESISTOR	560R	± 5%
R33	RESISTOR	22R	± 5%
R35	RESISTOR	0R18	± 5%
R36	RESISTOR	0R18	± 5%
R37	RESISTOR	15R	± 5%

R220KJ1	R10R0J1	R22K061	R4K70J1	R330K61	R3K30J1	R3K30J1	R560RJ1	R3K30J1	R22K061	R470R71	R100R71	R180R61	R3K30J1	R3K30J1	R1K00G1	R1K00G1	R270R71	R1K20J1	R560R7C	R560R7C	R28R0J1	R0R18J1	R0R18J1	R15R0J1
---------	---------	---------	---------	---------	---------	---------	---------	---------	---------	---------	---------	---------	---------	---------	---------	---------	---------	---------	---------	---------	---------	---------	---------	---------

R38	RESISTOR	47R	± 5%
R39	RESISTOR	10R	± 5%
R40	RESISTOR	2K7	± 5%
R42	RESISTOR	15K	± 5%
R43	RESISTOR	22R	± 5%
C1	CAPACITOR	680N	
C2	CAPACITOR	100µ	
C4	CAPACITOR	47N	
C5	CAPACITOR	100µ	
C6	CAPACITOR	1N	
C7	CAPACITOR	330P	
C8	CAPACITOR	120P	
C10	CAPACITOR	47µ	
C11	CAPACITOR	1N	
C12	CAPACITOR	100N	
C13	CAPACITOR	10µ	
C14	CAPACITOR	10µ	
C15	CAPACITOR	100N	
C16	CAPACITOR	100N	
C17	CAPACITOR	10µ	
C18	CAPACITOR	47µ	
C19	CAPACITOR	47µ	

R47R0J1	R10R0J1	R2K70J1	R15K0J1	R22R0J1	C4600NKS	C100µJ	C47N0J5	C100µZ8	C100µP	C330PkJ	C120PJ1	C47µ0Z8	C100µSA	C100µJS	C10µKTA	C10µKTA	C100µK3	C100µK3	C100µR5	C100µR5	C10µ0Z8	C47µ0Z8	C47µ0Z8
---------	---------	---------	---------	---------	----------	--------	---------	---------	--------	---------	---------	---------	---------	---------	---------	---------	---------	---------	---------	---------	---------	---------	---------

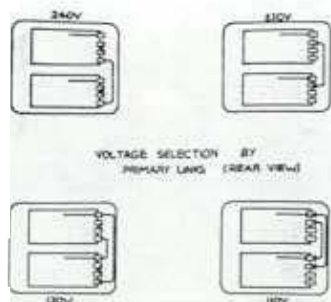
TR1	TRANSISTOR	BC214C
TR2	TRANSISTOR	ZTX304
TR3	TRANSISTOR	ZTX304
TR4	TRANSISTOR	ZTX304
TR7	TRANSISTOR	40872
TR8	TRANSISTOR	40872
TR9	TRANSISTOR	2SD424
TR10	TRANSISTOR	2SD424
T1	DIAC	B508A-01
T2	TRIAC	T2800B
D1	ZENER DIODE	BZY88C 15V
D2	ZENER DIODE	BZY88C 15V
D5	DIODE	1S920
D6	DIODE	1S920
D7	BRIDGE RECTIFIER	PM7A2Q
D8	ZENER DIODE	BZY41C 5V6
D9	ZENER DIODE	BZY41C 6V2
D10	DIODE	1N4003
D11	DIODE	1N4003
D12	LED	XC5053R
X1	SHORTING LINK	
IC1	INT CIRCUIT	TL071

DEC214C	DZTX304	DZTX304	DZTX304	D40872X	D40872X	D2SD424	D2SD424	D8508AA	DT2800B	D8515VA	D8515VA	D1S920B	D1S920B	DPM7A2Q	DZ5V6AA	DZ6V2AA	DIN4003	DIN4003	BL5053R	PP371Z	D071CPX
---------	---------	---------	---------	---------	---------	---------	---------	---------	---------	---------	---------	---------	---------	---------	---------	---------	---------	---------	---------	--------	---------

FS1	FUSE	4A		UM044QU
FS2	FUSE	4A		UM044QU
FS3	FUSE	T2A5	220-240V	UM2A5DA
		T5A	110-130V	UM05ADA
L5	MAINS TRANSFORMER			L12562A
L2	CHOKER	3µH		L12405A
L4	CHOKER	22µH		L47220K
N1	NETWORK			Q05N1AW
N2	NETWORK			Q05N1AW





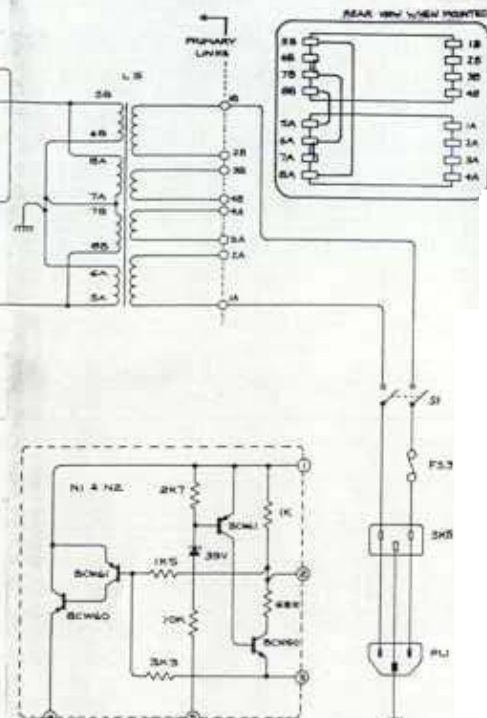
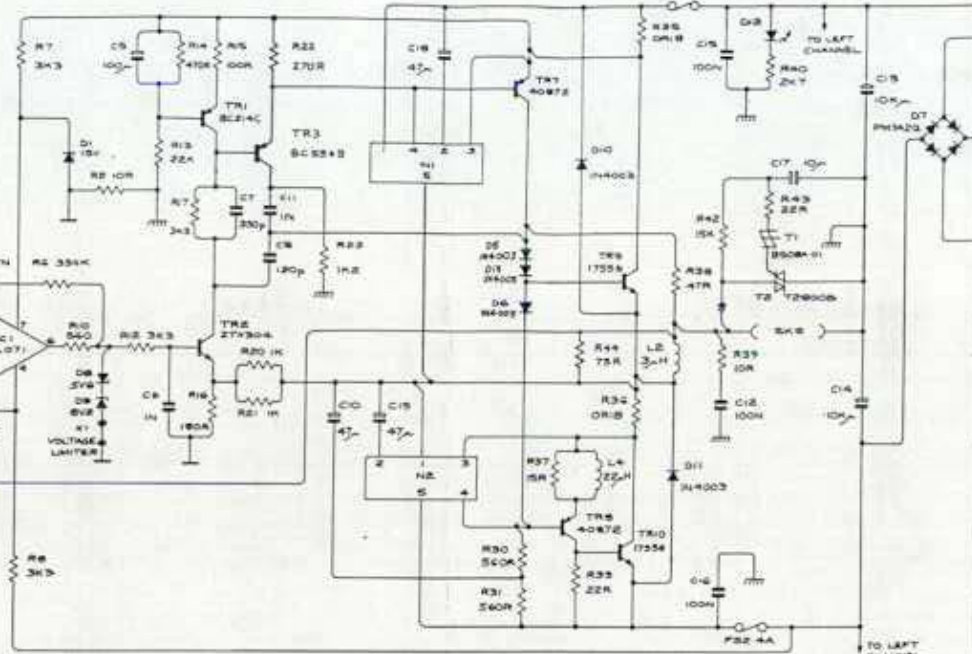


VOLTAGE SELECTION BY  
PRIMARY WINDING (REAR VIEW)



TO LEFT  
CHANNEL

R1	RESISTOR	220K	±5%
R2	RESISTOR	10K	±5%
R3	RESISTOR	22K	±2%
R4	RESISTOR	22K	±2%
R5	RESISTOR	47K	±5%
R6	RESISTOR	330K	±5%
R7	RESISTOR	3K3	±5%
R8	RESISTOR	3K3	±5%
R9	RESISTOR	560K	±5%
R10	RESISTOR	3K3	±5%
R11	RESISTOR	22K	±2%
R12	RESISTOR	470K	±5%
R13	RESISTOR	100K	±5%
R14	RESISTOR	180K	±2%
R15	RESISTOR	3K3	±5%
R16	RESISTOR	1K	±2%
R17	RESISTOR	1K	±2%
R18	RESISTOR	270K	±5%
R19	RESISTOR	1K2	±5%
R20	RESISTOR	560K	±5%
R21	RESISTOR	560K	±5%
R22	RESISTOR	22K	±2%
R23	RESISTOR	10K	±2%
R24	RESISTOR	10K	±2%
R25	RESISTOR	100K	±5%
R26	RESISTOR	100K	±5%
R27	RESISTOR	10K	±2%
R28	RESISTOR	47K	±5%
R29	RESISTOR	47K	±5%
R30	RESISTOR	47K	±5%
R31	RESISTOR	47K	±5%
R32	RESISTOR	47K	±5%
R33	RESISTOR	47K	±5%
R34	RESISTOR	47K	±5%
R35	RESISTOR	47K	±5%
R36	RESISTOR	47K	±5%
R37	RESISTOR	47K	±5%
R38	RESISTOR	47K	±5%
R39	RESISTOR	47K	±5%
R40	RESISTOR	47K	±5%
R41	RESISTOR	47K	±5%
R42	RESISTOR	47K	±5%
R43	RESISTOR	47K	±5%
R44	RESISTOR	47K	±5%
R45	RESISTOR	47K	±5%
R46	RESISTOR	47K	±5%
R47	RESISTOR	47K	±5%
R48	RESISTOR	47K	±5%
R49	RESISTOR	47K	±5%
R50	RESISTOR	47K	±5%
R51	RESISTOR	47K	±5%
R52	RESISTOR	47K	±5%
R53	RESISTOR	47K	±5%
R54	RESISTOR	47K	±5%
R55	RESISTOR	47K	±5%
R56	RESISTOR	47K	±5%
R57	RESISTOR	47K	±5%
R58	RESISTOR	47K	±5%
R59	RESISTOR	47K	±5%
R60	RESISTOR	47K	±5%
R61	RESISTOR	47K	±5%
R62	RESISTOR	47K	±5%
R63	RESISTOR	47K	±5%
R64	RESISTOR	47K	±5%
R65	RESISTOR	47K	±5%
R66	RESISTOR	47K	±5%
R67	RESISTOR	47K	±5%
R68	RESISTOR	47K	±5%
R69	RESISTOR	47K	±5%
R70	RESISTOR	47K	±5%
R71	RESISTOR	47K	±5%
R72	RESISTOR	47K	±5%
R73	RESISTOR	47K	±5%
R74	RESISTOR	47K	±5%
R75	RESISTOR	47K	±5%
R76	RESISTOR	47K	±5%
R77	RESISTOR	47K	±5%
R78	RESISTOR	47K	±5%
R79	RESISTOR	47K	±5%
R80	RESISTOR	47K	±5%
R81	RESISTOR	47K	±5%
R82	RESISTOR	47K	±5%
R83	RESISTOR	47K	±5%
R84	RESISTOR	47K	±5%
R85	RESISTOR	47K	±5%
R86	RESISTOR	47K	±5%
R87	RESISTOR	47K	±5%
R88	RESISTOR	47K	±5%
R89	RESISTOR	47K	±5%
R90	RESISTOR	47K	±5%
R91	RESISTOR	47K	±5%
R92	RESISTOR	47K	±5%
R93	RESISTOR	47K	±5%
R94	RESISTOR	47K	±5%
R95	RESISTOR	47K	±5%
R96	RESISTOR	47K	±5%
R97	RESISTOR	47K	±5%
R98	RESISTOR	47K	±5%
R99	RESISTOR	47K	±5%
R100	RESISTOR	47K	±5%



R20	RESISTOR	1K	±2%
R21	RESISTOR	1K	±2%
R22	RESISTOR	270K	±5%
R23	RESISTOR	1K2	±5%
R24	RESISTOR	560K	±5%
R25	RESISTOR	560K	±5%
R26	RESISTOR	22K	±2%
R27	RESISTOR	10K	±2%
R28	RESISTOR	10K	±2%
R29	RESISTOR	100K	±5%
R30	RESISTOR	100K	±5%
R31	RESISTOR	10K	±2%
R32	RESISTOR	47K	±5%
R33	RESISTOR	47K	±5%
R34	RESISTOR	47K	±5%
R35	RESISTOR	47K	±5%
R36	RESISTOR	47K	±5%
R37	RESISTOR	47K	±5%
R38	RESISTOR	47K	±5%
R39	RESISTOR	47K	±5%
R40	RESISTOR	47K	±5%
R41	RESISTOR	47K	±5%
R42	RESISTOR	47K	±5%
R43	RESISTOR	47K	±5%
R44	RESISTOR	47K	±5%
R45	RESISTOR	47K	±5%
R46	RESISTOR	47K	±5%
R47	RESISTOR	47K	±5%
R48	RESISTOR	47K	±5%
R49	RESISTOR	47K	±5%
R50	RESISTOR	47K	±5%
R51	RESISTOR	47K	±5%
R52	RESISTOR	47K	±5%
R53	RESISTOR	47K	±5%
R54	RESISTOR	47K	±5%
R55	RESISTOR	47K	±5%
R56	RESISTOR	47K	±5%
R57	RESISTOR	47K	±5%
R58	RESISTOR	47K	±5%
R59	RESISTOR	47K	±5%
R60	RESISTOR	47K	±5%
R61	RESISTOR	47K	±5%
R62	RESISTOR	47K	±5%
R63	RESISTOR	47K	±5%
R64	RESISTOR	47K	±5%
R65	RESISTOR	47K	±5%
R66	RESISTOR	47K	±5%
R67	RESISTOR	47K	±5%
R68	RESISTOR	47K	±5%
R69	RESISTOR	47K	±5%
R70	RESISTOR	47K	±5%
R71	RESISTOR	47K	±5%
R72	RESISTOR	47K	±5%
R73	RESISTOR	47K	±5%
R74	RESISTOR	47K	±5%
R75	RESISTOR	47K	±5%
R76	RESISTOR	47K	±5%
R77	RESISTOR	47K	±5%
R78	RESISTOR	47K	±5%
R79	RESISTOR	47K	±5%
R80	RESISTOR	47K	±5%
R81	RESISTOR	47K	±5%
R82	RESISTOR	47K	±5%
R83	RESISTOR	47K	±5%
R84	RESISTOR	47K	±5%
R85	RESISTOR	47K	±5%
R86	RESISTOR	47K	±5%
R87	RESISTOR	47K	±5%
R88	RESISTOR	47K	±5%
R89	RESISTOR	47K	±5%
R90	RESISTOR	47K	±5%
R91	RESISTOR	47K	±5%
R92	RESISTOR	47K	±5%
R93	RESISTOR	47K	±5%
R94	RESISTOR	47K	±5%
R95	RESISTOR	47K	±5%
R96	RESISTOR	47K	±5%
R97	RESISTOR	47K	±5%
R98	RESISTOR	47K	±5%
R99	RESISTOR	47K	±5%
R100	RESISTOR	47K	±5%

C1	CAPACITOR	500K
C2	CAPACITOR	100µ
C3	CAPACITOR	47µ
C4	CAPACITOR	47µ
C5	CAPACITOR	100µ
C6	CAPACITOR	100µ
C7	CAPACITOR	100µ
C8	CAPACITOR	100µ
C9	CAPACITOR	100µ
C10	CAPACITOR	100µ
C11	CAPACITOR	100µ
C12	CAPACITOR	100µ
C13	CAPACITOR	100µ
C14	CAPACITOR	100µ
C15	CAPACITOR	100µ
C16	CAPACITOR	100µ
C17	CAPACITOR	100µ
C18	CAPACITOR	100µ
C19	CAPACITOR	100µ
C20	CAPACITOR	100µ
C21	CAPACITOR	100µ
C22	CAPACITOR	100µ
C23	CAPACITOR	100µ
C24	CAPACITOR	100µ
C25	CAPACITOR	100µ
C26	CAPACITOR	100µ
C27	CAPACITOR	100µ
C28	CAPACITOR	100µ
C29	CAPACITOR	100µ
C30	CAPACITOR	100µ
C31	CAPACITOR	100µ
C32	CAPACITOR	100µ
C33	CAPACITOR	100µ
C34	CAPACITOR	100µ
C35	CAPACITOR	100µ
C36	CAPACITOR	100µ
C37	CAPACITOR	100µ
C38	CAPACITOR	100µ
C39	CAPACITOR	100µ
C40	CAPACITOR	100µ
C41	CAPACITOR	100µ
C42	CAPACITOR	100µ
C43	CAPACITOR	100µ
C44	CAPACITOR	100µ
C45	CAPACITOR	100µ
C46	CAPACITOR	100µ
C47	CAPACITOR	100µ
C48	CAPACITOR	100µ
C49	CAPACITOR	100µ
C50	CAPACITOR	100µ

TR1	TRANSISTOR	BC214C
TR2	TRANSISTOR	2T4304
TR3	TRANSISTOR	BC154B
TR7	TRANSISTOR	4047E
TR8	TRANSISTOR	1735A
TR9	TRANSISTOR	1735A
TR10	TRANSISTOR	1735A
T1	DIAC	B50BA-D
T2	TRIAC	T2900B
D1	ZENER DIODE	BZ10C 15V
D2	ZENER DIODE	BZ10C 15V
D3	DIODE	1N4001
D4	DIODE	1N4001
D5	DIODE	1N4001
D6	DIODE	1N4001
D7	BRIDGE RECTIFIER	PM7A2Q
D8	ZENER DIODE	BZ10C 15V
D9	ZENER DIODE	BZ10C 15V
D10	DIODE	1N4001
D11	DIODE	1N4001
D12	DIODE	1N4001
D13	DIODE	1N4001
D14	DIODE	1N4001
D15	DIODE	1N4001
D16	DIODE	1N4001
D17	DIODE	1N4001
D18	DIODE	1N4001
D19	DIODE	1N4001
D20	DIODE	1N4001
D21	DIODE	1N4001
D22	DIODE	1N4001
D23	DIODE	1N4001
D24	DIODE	1N4001
D25	DIODE	1N4001
D26	DIODE	1N4001
D27	DIODE	1N4001
D28	DIODE	1N4001
D29	DIODE	1N4001
D30	DIODE	1N4001
D31	DIODE	1N4001
D32	DIODE	1N4001
D33	DIODE	1N4001
D34	DIODE	1N4001
D35	DIODE	1N4001
D36	DIODE	1N4001
D37	DIODE	1N4001
D38	DIODE	1N4001
D39	DIODE	1N4001
D40	DIODE	1N4001
D41	DIODE	1N4001
D42	DIODE	1N4001
D43	DIODE	1N4001
D44	DIODE	1N4001
D45	DIODE	1N4001
D46	DIODE	1N4001
D47	DIODE	1N4001
D48	DIODE	1N4001
D49	DIODE	1N4001
D50	DIODE	1N4001

F1	FUSE	4A	UN44A2U
F2	FUSE	4A	UN44A2U
F3	FUSE	25A5 250-240V	UN245DA
F4	FUSE	110-130V	UN05ADA
L5	MAINS TRANSFORMER		L1252A
L6	CHOKE	3µH	L12405A
L7	CHOKE	22µH	L1222K
N1	NETWORK		Q05N1AT
N2	NETWORK		Q05N1AT
P1	AC POWER IN/PHONO		P05A1A
P2	AC POWER IN/PHONO		P05A1A
S1	SWITCH		S105OFF
SK1	OUTPUT SOCKET	RED	PS0514C
SK2	OUTPUT SOCKET	BLACK	PS0514C
SK3	INPUT SOCKET		PS1040Z
SK4	INPUT SOCKET		PS1040Z
SK5	AC POWER OUTLET SOCKET		PS1040Z